



# Automotive LPDDR5X SDRAM

## MT62F768M64D4, MT62F1536M64D8

### Features

- **Architecture**
  - 17.1 GB/s maximum bandwidth per channel
  - Frequency range: 1067–5 MHz (data rate range per pin: 8533–40 Mb/s with WCK:CK = 4:1)
  - Selectable CKR (WCK:CK = 2:1 or 4:1)
- **LPDDR5X data interface**
  - Single x16 channel/die
  - Double-data-rate command/address entry
  - Differential command clocks (CK\_t/CK\_c) for high-speed operation
  - Differential data clocks (WCK\_t/WCK\_c)
  - Differential read strobe (RDQS\_t/RDQS\_c)
  - 16n-bit or 32n-bit prefetch architecture
  - Command-selectable burst lengths (BL = 16 or 32) in bank group or 16-bank modes
  - Background ZQ calibration/command-based ZQ calibration
  - Link protection (link ECC) support
  - Partial-array self refresh (PASR) and partial-array auto refresh (PAAR) with segment mask
- **Ultra-low-voltage core and I/O power supplies**
  - $V_{DD1} = 1.70\text{--}1.95\text{V}$ ; 1.8V NOM
  - $V_{DD2H} = 1.01\text{--}1.12\text{V}$ ; 1.05V NOM
  - $V_{DD2L} = V_{DD2H}$  or  $0.87\text{--}0.97\text{V}$ ; 0.9V NOM
  - $V_{DDQ} = 0.5\text{V}$  NOM or  $0.3\text{V}$  NOM (ODT off)
- **I/O characteristics**
  - Interface-LVSTL 0.5/0.3
  - I/O type: Low-swing single-ended,  $V_{SS}$  terminated
  - $V_{OH}$ -compensated output drive
  - Programmable  $V_{SS}$  on-die termination (ODT)
  - Non target ODT support
  - DVFSQ support
- **Low-power features**
  - DVFSC: Dynamic voltage frequency scaling core
  - Single-ended CK, single-ended WCK, and single-ended RDQS
  - Data copy
  - Write X

### Options

- $V_{DD1}/V_{DD2H}/V_{DD2L}/V_{DDQ}$ : 1.8V/1.05V/0.9V/0.5V
- Array configuration
  - 768 Meg x 64 (4 channels x16 I/O) 768M64
  - 1536 Meg x 64 (4 channels x16 I/O) 1536M64
- Device configuration
  - 4 die in package D4
  - 8 die in package D8
- FBGA RoHS-compliant, "green" package
  - 441-ball TFBGA (14.0mm x 14.0mm, seated height: 1.1mm MAX, Ø0.42 SMD) EK
- Speed grade, cycle time ( $t^*_{WCK}$ )
  - 8533 Mb/s -023
  - 7500 Mb/s -026
- Functional safety features
  - Micron safety features enabled
  - Suitable for meeting random HW metrics up to ASIL D F<sup>1</sup>
- Automotive and functional safety A
  - AEC-Q100
  - PPAP
  - ISO 26262 ASIL D compliant development
  - FMEDA (ISO 26262-5:2018, cl. 8, 9)
  - Safety manual
- Operating temperature:
  - $-40^{\circ}\text{C} \leq T_C \leq +95^{\circ}\text{C}$  IT
  - $-40^{\circ}\text{C} \leq T_C \leq +105^{\circ}\text{C}$  AT
  - $-40^{\circ}\text{C} \leq T_C \leq +125^{\circ}\text{C}$  UT<sup>2</sup>
- Revision :B

- Notes: 1. For functional safety documentation, contact Micron sales representative.  
2. Based on automotive usage model. Contact Micron sales representative with questions.



## 441b: x64 Automotive LPDDR5X SDRAM Part Number Ordering Information

### Part Number Ordering Information

Figure 1: Part Number Chart

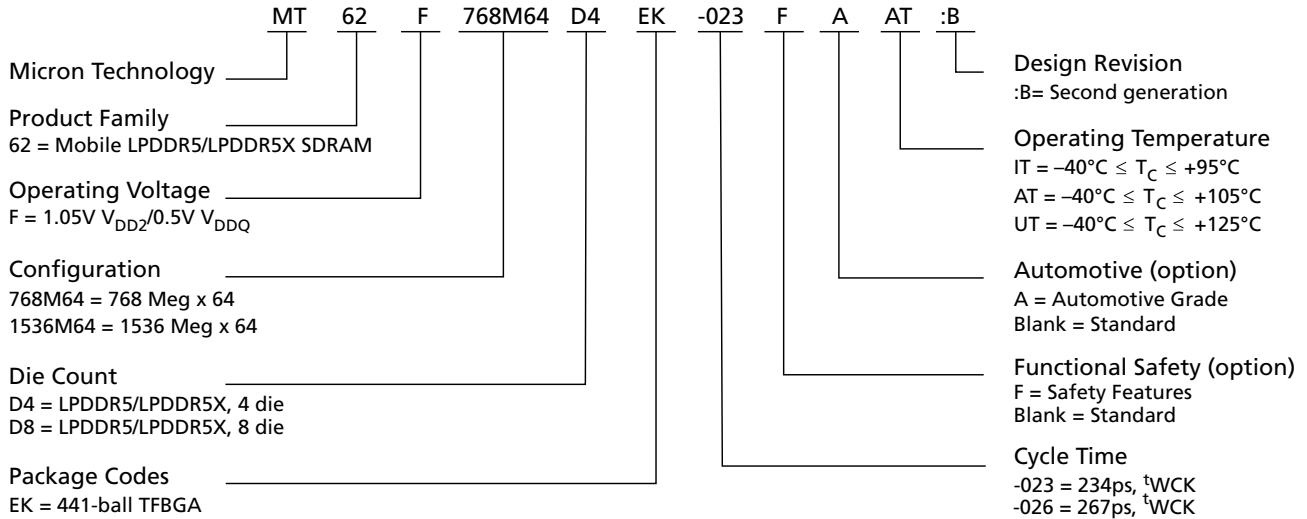


Table 1: Part Number List

Part Number	Total Density	Data Rate per Pin
MT62F768M64D4EK-023 AIT:B	6GB (48Gb)	8533 Mb/s
MT62F768M64D4EK-023 AAT:B		
MT62F768M64D4EK-023 AUT:B		
MT62F768M64D4EK-023 FAAT:B		
MT62F1536M64D8EK-023 AIT:B	12GB (96Gb)	7500 Mb/s
MT62F1536M64D8EK-023 AAT:B		
MT62F1536M64D8EK-023 AUT:B		
MT62F1536M64D8EK-023 FAAT:B		
MT62F1536M64D8EK-026 AIT:B	7500 Mb/s	
MT62F1536M64D8EK-026 AAT:B		

### FBGA Part Marking Decoder

Due to space limitations, FBGA-packaged components have an abbreviated part marking that is different from the part number. Micron’s FBGA part marking decoder is available at [www.micron.com/decoder](http://www.micron.com/decoder).

### LPDDR5/LPDDR5X Data Sheet List

This data sheet only describes the product specifications that are unique to the Micron devices listed in Table 1.

For general LPDDR5/LPDDR5X specifications, please refer to the data sheets below.

- General LPDDR5/LPDDR5X Specifications 1: Mode Registers
- General LPDDR5/LPDDR5X Specifications 2: AC/DC and Interface Specifications
- General LPDDR5/LPDDR5X Specifications 3: Features and Functionalities



## Important Notes and Warnings

Micron Technology, Inc. ("Micron") reserves the right to make changes to information published in this document, including without limitation specifications and product descriptions. This document supersedes and replaces all information supplied prior to the publication hereof. You may not rely on any information set forth in this document if you obtain the product described herein from any unauthorized distributor or other source not authorized by Micron.

**Automotive Applications.** Products are not designed or intended for use in automotive applications unless specifically designated by Micron as automotive-grade by their respective data sheets. Distributor and customer/distributor shall assume the sole risk and liability for and shall indemnify and hold Micron harmless against all claims, costs, damages, and expenses and reasonable attorneys' fees arising out of, directly or indirectly, any claim of product liability, personal injury, death, or property damage resulting directly or indirectly from any use of non-automotive-grade products in automotive applications. Customer/distributor shall ensure that the terms and conditions of sale between customer/distributor and any customer of distributor/customer (1) state that Micron products are not designed or intended for use in automotive applications unless specifically designated by Micron as automotive-grade by their respective data sheets and (2) require such customer of distributor/customer to indemnify and hold Micron harmless against all claims, costs, damages, and expenses and reasonable attorneys' fees arising out of, directly or indirectly, any claim of product liability, personal injury, death, or property damage resulting from any use of non-automotive-grade products in automotive applications.

**Critical Applications.** Products are not authorized for use in applications in which failure of the Micron component could result, directly or indirectly in death, personal injury, or severe property or environmental damage ("Critical Applications"). Customer must protect against death, personal injury, and severe property and environmental damage by incorporating safety design measures into customer's applications to ensure that failure of the Micron component will not result in such harms. Should customer or distributor purchase, use, or sell any Micron component for any critical application, customer and distributor shall indemnify and hold harmless Micron and its subsidiaries, subcontractors, and affiliates and the directors, officers, and employees of each against all claims, costs, damages, and expenses and reasonable attorneys' fees arising out of, directly or indirectly, any claim of product liability, personal injury, or death arising in any way out of such critical application, whether or not Micron or its subsidiaries, subcontractors, or affiliates were negligent in the design, manufacture, or warning of the Micron product.

**Customer Responsibility.** Customers are responsible for the design, manufacture, and operation of their systems, applications, and products using Micron products. ALL SEMICONDUCTOR PRODUCTS HAVE INHERENT FAILURE RATES AND LIMITED USEFUL LIVES. IT IS THE CUSTOMER'S SOLE RESPONSIBILITY TO DETERMINE WHETHER THE MICRON PRODUCT IS SUITABLE AND FIT FOR THE CUSTOMER'S SYSTEM, APPLICATION, OR PRODUCT. Customers must ensure that adequate design, manufacturing, and operating safeguards are included in customer's applications and products to eliminate the risk that personal injury, death, or severe property or environmental damages will result from failure of any semiconductor component.

**Limited Warranty.** In no event shall Micron be liable for any indirect, incidental, punitive, special or consequential damages (including without limitation lost profits, lost savings, business interruption, costs related to the removal or replacement of any products or rework charges) whether or not such damages are based on tort, warranty, breach of contract or other legal theory, unless explicitly stated in a written agreement executed by Micron's duly authorized representative.



## General Notes

Throughout the data sheet, figures and text refer to DQs as DQ. DQ should be interpreted as any or all DQs collectively, unless specifically stated otherwise.

RDQS, CK, and WCK should be interpreted as RDQS\_t, RDQS\_c, CK\_t, CK\_c, and WCK\_t, WCK\_c respectively unless specifically stated otherwise. CA includes all CA pins used for a given density.

In timing diagrams, CMD is used as an indicator only. Actual signals occur on CA[6:0].

$V_{REF}$  indicates  $V_{REF(CA)}$  and  $V_{REF(DQ)}$ .

Complete functionality is described throughout the entire document. Any page or diagram may have been simplified to convey a topic and may not be inclusive of all requirements.

Any specific requirement takes precedence over a general statement.

Any functionality not specifically stated herein is considered undefined, illegal, is not supported, and will result in unknown operation.



## Functional Safety Notes

This automotive LPDDR5/LPDDR5X DRAM product family has been developed according to ISO 26262:2018 requirements to provide a level of systematic fault coverage that allows its use in systems targeting up to ASIL D compliance.

This LPDDR5/LPDDR5X DRAM contains several new functional safety features that operate within the JEDEC LPDDR5/LPDDR5X protocols (commands, timings, and so forth) and are made available to the integrator on “F” parts (see Part Number Ordering Information). The specification addendum governing these functional safety features is available under NDA. This LPDDR5/LPDDR5X DRAM may operate as a standard JEDEC LPDDR5/LPDDR5X DRAM only, or as a standard JEDEC LPDDR5/LPDDR5X DRAM specifically designed to include functional safety features to communicate fault detection (only available on “F” parts). Additional support may be available to customers who need to integrate Micron’s products in their functional safety-related applications. This support may include Safety Analysis Report, reporting FMEDA results and metrics, Safety Manual and Pin FMEA Report, providing guidelines and instructions for using Micron products in safety-related applications.

Contact a Micron sales representative to initiate the process required to obtain the functional safety documentation.



## Device Configuration

**Table 2: Die Organization in the Package**

Die Organization	768M64 (48 Gb/package)	1536M64 (96 Gb/package)
Channel A, rank 0	x16 mode × 1 die	x16 mode × 1 die
Channel B, rank 0	x16 mode × 1 die	x16 mode × 1 die
Channel C, rank 0	x16 mode × 1 die	x16 mode × 1 die
Channel D, rank 0	x16 mode × 1 die	x16 mode × 1 die
Channel A, rank 1	–	x16 mode × 1 die
Channel B, rank 1	–	x16 mode × 1 die
Channel C, rank 1	–	x16 mode × 1 die
Channel D, rank 1	–	x16 mode × 1 die

Notes: 1. Refer to the Package Block Diagram section in this data sheet.

**Table 3: Die Addressing**

Description	768M64 (48 Gb/package)/1536M64 (96 Gb/package)		
Density per die	12Gb		
Bits	12,884,901,888		
Bank mode	BG mode	16B mode	8B mode
Configuration	48Mb × 16 DQ × 4 banks × 4BG	48Mb × 16 DQ × 16 banks	96Mb × 16 DQ × 8 banks
Number of banks	4	16	8
Number of bank groups	4	1	1
Array prefetch bits	256	256	512
Rows per bank	49,152		
Columns	64		
Page size (bytes)	2048	2048	4096
Native burst length	16	16	32
Number of I/Os	16		
Bank address	BA[1:0]	BA[3:0]	BA[2:0]
Bank group address	BG[1:0]	–	–
Row address	R[15:0] (R14 = 0 when R15 = 1)		
Column address	C[5:0]		
Burst address	B[3:0]	B[3:0]	B[4:0]
Burst starting address boundary	128-bit		

Notes: 1. Refer to the SDRAM Addressing section in General LPDDR5/LPDDR5X Specifications 3.  
2. Refer to the Speed Grades and Effective Burst Length in General LPDDR5/LPDDR5X Specifications 3.



## 441b: x64 Automotive LPDDR5X SDRAM Refresh Requirement Parameters

### Refresh Requirement Parameters

**Table 4: Refresh Requirement Parameters**

Parameter	Symbol	12Gb Die		Unit
		BG and 16B Mode	8B Mode	
REFRESH cycle time (all banks)	$t_{RFCab}$	280	280	ns
REFRESH cycle time (per bank)	$t_{RFCpb}$	140	140	ns
Per bank refresh to per bank refresh time (different bank)	$t_{PBR2PBR}$	90	90	ns
Per bank refresh to ACTIVATE command time (different bank)	$t_{PBR2ACT}$	7.5	10	ns

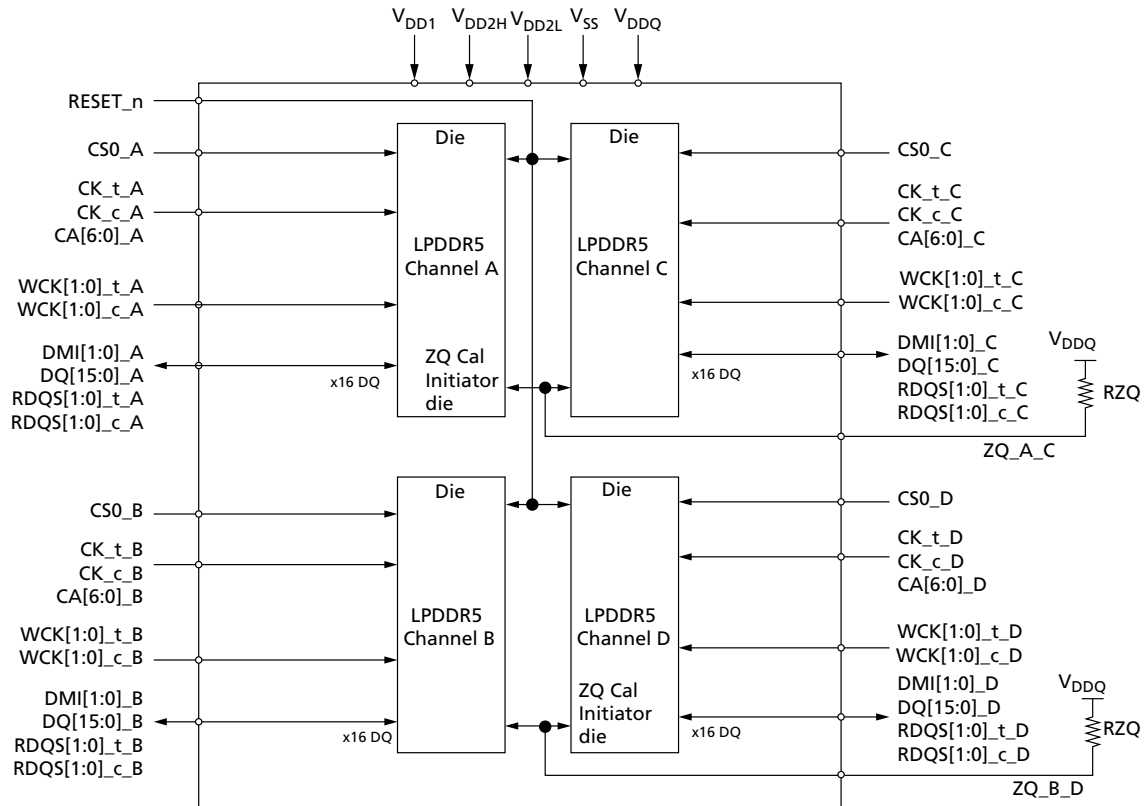
Note: 1. This table only describes refresh parameters that are density dependent. Refer to Refresh Requirement section in General LPDDR5/LPDDR5X Specifications 3 for all refresh parameters.



## Package Block Diagrams

### Quad Die, Quad Channel

Figure 2: Quad-Die, Quad-Channel Package Block Diagram



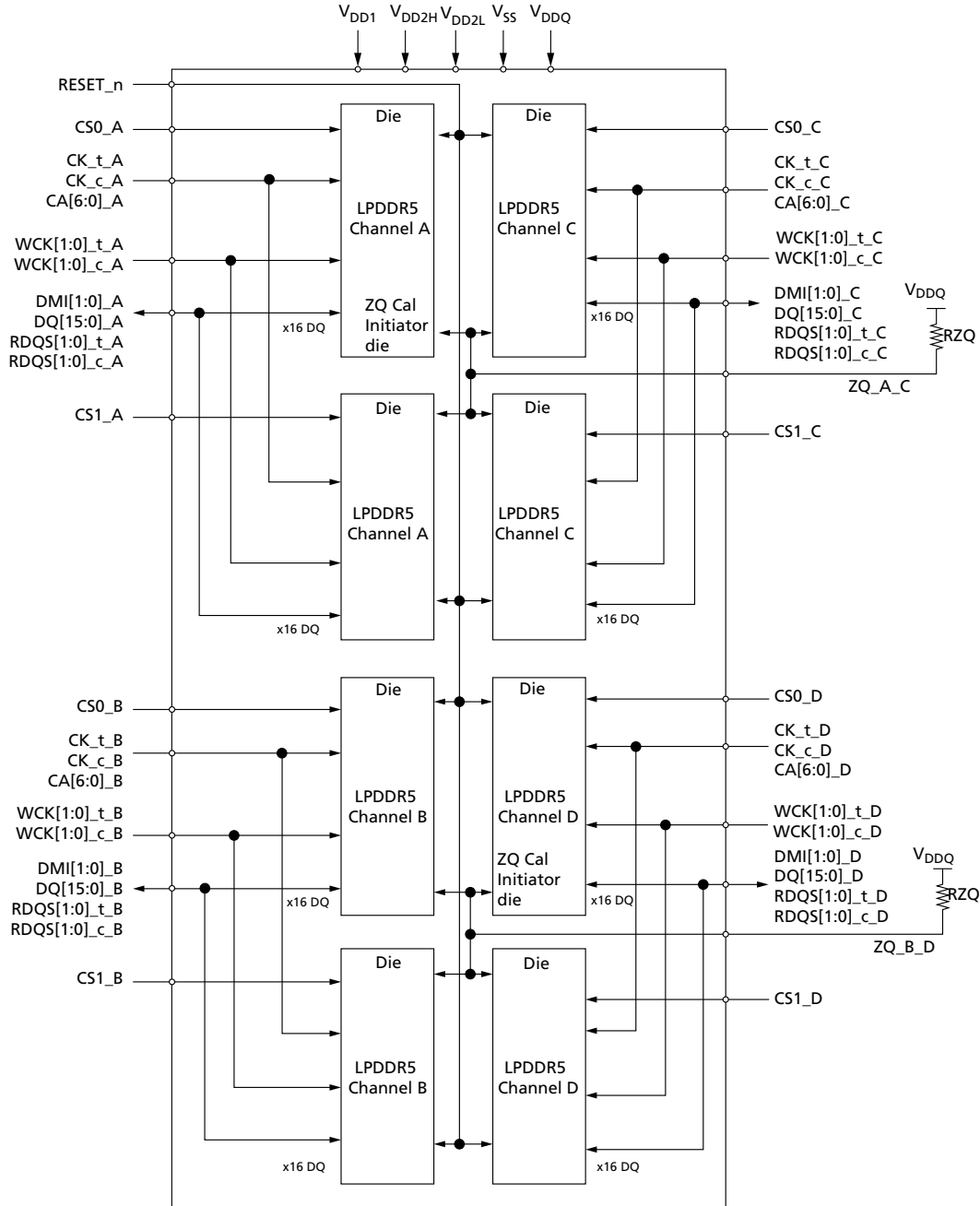




## 441b: x64 Automotive LPDDR5X SDRAM Package Block Diagrams

### Eight Die, Quad Channel

Figure 3: Eight-Die, Quad-Channel Package Block Diagram





## Ball Assignments and Descriptions

### 441b Quad Channel, 1 Rank, 2 Rank

**Table 5: 441-Ball/Pad Descriptions**

Symbol	Type	Description
CK_t_[A:D] CK_c_[A:D]	Input	<b>Clock:</b> CK_t and CK_c are differential clock inputs. All double data rate (DDR) command/address inputs are sampled on both crossing points of CK_t and CK_c. The first crossing point is the rising (falling) edge of CK_t (CK_c) and second crossing point is falling (rising) edge of CK_t (CK_c). Single data rate (SDR) inputs, CS is sampled on the crossing point that is the rising (falling) edge of CK_t (CK_c).
CS0_[A:D], CS1_[A:D]	Input	<b>Chip select:</b> CS is part of the command code, and is sampled on the rising (falling) edge of CK_t (CK_c) unless the device is in power-down or deep sleep mode where it becomes an asynchronous signal. Each rank (0, 1) has its own CS signals. CS1_[A:D] become NC pins in a single-rank package.
CA[6:0]_[A:D]	Input	<b>Command/address inputs:</b> Provide the command and address inputs according to the command truth table.
WCK[1:0]_t_[A:D] WCK[1:0]_c_[A:D]	Input	<b>Data clock:</b> WCK_t and WCK_c are differential clock inputs used for WRITE data capture and READ data output.
DQ[15:0]_[A:D]	I/O	<b>Data input/output:</b> Bidirectional data bus.
RDQS[1:0]_t_[A:D] RDQS[1:0]_c_[A:D]	I/O Output	<b>Read data strobe:</b> RDQS_t and RDQS_c are differential output clock signals used to strobe data during a READ operation. RDQS_t is also used as a parity pin during write link protection enabled. Each byte of data has RDQS_t and RDQS_c signals.
DMI[1:0]_[A:D]	I/O	<b>Data mask inversion:</b> DMI serves multiple functions such as data mask (DM), data bus inversion (DBI), and parity at READ with ECC operation by setting the mode register. DMI is a bidirectional signal and each byte of data has a DMI signal.
ZQ_A_C, ZQ_B_D	Reference	<b>ZQ calibration reference:</b> Used to calibrate the output drive strength and the termination resistance. The ZQ pin should be connected to V <sub>DDQ</sub> through a 240Ω ±1% resistor.
V <sub>DDQ</sub> , V <sub>DD1</sub> , V <sub>DD2H</sub> , V <sub>DD2L</sub>	Supply	<b>Power supplies:</b> Isolated on the die for improved noise immunity.
V <sub>SS</sub>	Supply	<b>Ground reference:</b> Power supply ground reference.
RESET_n	Input	<b>Reset:</b> When asserted LOW, the RESET pin resets the die. Reset is an asynchronous signal.
NC	-	<b>No connect:</b> Not internally connected.
RFU	-	Reserved Future Use: Not internally connected



Micron Confidential and Proprietary

441b: x64 Automotive LPDDR5X SDRAM  
Ball Assignments and Descriptions

Figure 4: 441-Ball Quad-Channel FBGA

	1	2	3	4	5	6	7	8	9	10	11	12	13	14	15	16	17	18	19	20	21	
A	V <sub>SS</sub>	V <sub>SS</sub>	V <sub>DD1</sub>	V <sub>DD2L</sub>	V <sub>SS</sub>	V <sub>DD2H</sub>	V <sub>DD1</sub>	V <sub>SS</sub>	V <sub>DD2L</sub>	V <sub>DD2H</sub>	V <sub>DD2H</sub>	V <sub>SS</sub>	V <sub>DD1</sub>	V <sub>DD2L</sub>	V <sub>SS</sub>	V <sub>DD2H</sub>	V <sub>DD1</sub>	V <sub>SS</sub>	V <sub>DD2L</sub>	V <sub>SS</sub>	V <sub>SS</sub>	A
B	V <sub>SS</sub>	DQ0_A	V <sub>SS</sub>	DQ3_A	V <sub>DD2H</sub>	V <sub>SS</sub>	DQ11_A	DQ9_A	DQ8_A	V <sub>SS</sub>	V <sub>DD2H</sub>	DQ0_C	V <sub>SS</sub>	DQ3_C	V <sub>DD2H</sub>	V <sub>SS</sub>	DQ11_C	DQ9_C	DQ8_C	RFU	V <sub>SS</sub>	B
C	V <sub>DD2H</sub>	V <sub>SS</sub>	DQ2_A	V <sub>DDQ</sub>	CA0_A	V <sub>DD2H</sub>	V <sub>SS</sub>	DQ10_A	V <sub>DDQ</sub>	V <sub>DD2H</sub>	V <sub>SS</sub>	V <sub>SS</sub>	DQ2_C	V <sub>DDQ</sub>	CA0_C	V <sub>DD2H</sub>	V <sub>SS</sub>	DQ10_C	V <sub>DDQ</sub>	V <sub>DD2H</sub>	V <sub>DD2H</sub>	C
D	V <sub>SS</sub>	DQ1_A	WCK0_c_A	V <sub>SS</sub>	CA1_A	CS0_A	V <sub>DDQ</sub>	V <sub>SS</sub>	WCK1_t_A	V <sub>DD2H</sub>	V <sub>DDQ</sub>	DQ1_C	WCK0_c_C	V <sub>SS</sub>	CA1_C	CS0_C	V <sub>DDQ</sub>	V <sub>SS</sub>	WCK1_t_C	V <sub>DDQ</sub>	V <sub>SS</sub>	D
E	V <sub>DDQ</sub>	RDQ50_c_A	V <sub>SS</sub>	WCK0_t_A	V <sub>SS</sub>	CS1_A	V <sub>SS</sub>	WCK1_c_A	DMI1_A	V <sub>SS</sub>	V <sub>DDQ</sub>	RDQ50_c_C	V <sub>SS</sub>	WCK0_t_C	V <sub>SS</sub>	CS1_C	V <sub>SS</sub>	WCK1_c_C	DMI1_C	V <sub>SS</sub>	V <sub>DD2H</sub>	E
F	V <sub>DDQ</sub>	RDQ50_t_A	V <sub>SS</sub>	V <sub>DDQ</sub>	V <sub>SS</sub>	CA2_A	V <sub>SS</sub>	RDQ51_t_A	V <sub>SS</sub>	V <sub>DDQ</sub>	V <sub>SS</sub>	RDQ50_t_C	V <sub>SS</sub>	V <sub>DDQ</sub>	V <sub>SS</sub>	CA2_C	V <sub>SS</sub>	RDQ51_t_C	V <sub>SS</sub>	V <sub>DDQ</sub>	V <sub>DD2H</sub>	F
G	V <sub>SS</sub>	DQ4_A	V <sub>DDQ</sub>	DMI0_A	RFU	RFU	CA6_A	V <sub>SS</sub>	RDQ51_c_A	V <sub>SS</sub>	V <sub>DDQ</sub>	DMI0_C	V <sub>DDQ</sub>	DQ4_C	RFU	RFU	CA6_C	V <sub>SS</sub>	RDQ51_c_C	V <sub>SS</sub>	V <sub>SS</sub>	G
H	V <sub>DD2L</sub>	V <sub>SS</sub>	DQ5_A	V <sub>SS</sub>	CK_t_A	V <sub>SS</sub>	CA5_A	V <sub>DDQ</sub>	V <sub>SS</sub>	DQ12_A	V <sub>SS</sub>	V <sub>SS</sub>	DQ5_C	V <sub>SS</sub>	CK_t_C	V <sub>SS</sub>	CA5_C	V <sub>DDQ</sub>	V <sub>SS</sub>	DQ12_C	V <sub>DD2L</sub>	H
J	V <sub>DD2H</sub>	DQ6_A	DQ7_A	V <sub>DD2H</sub>	V <sub>SS</sub>	CK_c_A	V <sub>SS</sub>	DQ14_A	DQ13_A	V <sub>SS</sub>	V <sub>DD2L</sub>	DQ6_C	DQ7_C	V <sub>DD2L</sub>	ZQ_A_C	CK_c_C	V <sub>SS</sub>	DQ14_C	DQ13_C	V <sub>SS</sub>	V <sub>DD2H</sub>	J
K	V <sub>SS</sub>	V <sub>DD2H</sub>	V <sub>DD2H</sub>	V <sub>DD2H</sub>	V <sub>SS</sub>	CA3_A	CA4_A	V <sub>DD2L</sub>	V <sub>SS</sub>	DQ15_A	V <sub>DD2H</sub>	V <sub>DD2H</sub>	V <sub>DD2H</sub>	V <sub>DD2H</sub>	V <sub>SS</sub>	CA3_C	CA4_C	V <sub>DD2H</sub>	V <sub>SS</sub>	DQ15_C	V <sub>SS</sub>	K
L	V <sub>DD2H</sub>	V <sub>DD2L</sub>	V <sub>DD2L</sub>	V <sub>DD2H</sub>	V <sub>DD2L</sub>	V <sub>DD2H</sub>	V <sub>SS</sub>	V <sub>DD2H</sub>	V <sub>DD2H</sub>	V <sub>SS</sub>	V <sub>SS</sub>	V <sub>SS</sub>	V <sub>DD2H</sub>	V <sub>DD2H</sub>	V <sub>SS</sub>	V <sub>DD2H</sub>	V <sub>DD2L</sub>	V <sub>DD2H</sub>	V <sub>DD2L</sub>	V <sub>DD2L</sub>	V <sub>DD2H</sub>	L
M	V <sub>SS</sub>	DQ15_B	V <sub>SS</sub>	V <sub>DD2H</sub>	CA4_B	CA3_B	V <sub>SS</sub>	V <sub>DD2H</sub>	V <sub>DD2H</sub>	V <sub>DD2H</sub>	V <sub>DD2H</sub>	DQ15_D	V <sub>SS</sub>	V <sub>DD2L</sub>	CA4_D	CA3_D	V <sub>SS</sub>	V <sub>DD2H</sub>	V <sub>DD2H</sub>	V <sub>DD2H</sub>	V <sub>SS</sub>	M
N	V <sub>DD2H</sub>	V <sub>SS</sub>	DQ13_B	DQ14_B	V <sub>SS</sub>	CK_c_B	ZQ_B_D	V <sub>DD2L</sub>	DQ7_B	DQ6_B	V <sub>DD2L</sub>	V <sub>SS</sub>	DQ13_D	DQ14_D	V <sub>SS</sub>	CK_c_D	V <sub>SS</sub>	V <sub>DD2H</sub>	DQ7_D	DQ6_D	V <sub>DD2H</sub>	N
P	V <sub>DD2L</sub>	DQ12_B	V <sub>SS</sub>	V <sub>DDQ</sub>	CA5_B	V <sub>SS</sub>	CK_t_B	V <sub>SS</sub>	DQ5_B	V <sub>SS</sub>	V <sub>SS</sub>	DQ12_D	V <sub>SS</sub>	V <sub>DDQ</sub>	CA5_D	V <sub>SS</sub>	CK_t_D	V <sub>SS</sub>	DQ5_D	V <sub>SS</sub>	V <sub>DD2L</sub>	P
R	V <sub>SS</sub>	V <sub>SS</sub>	RDQ51_c_B	V <sub>SS</sub>	CA6_B	RFU	RFU	DQ4_B	V <sub>DDQ</sub>	DMI0_B	V <sub>DDQ</sub>	V <sub>SS</sub>	RDQ51_c_D	V <sub>SS</sub>	CA6_D	RFU	RFU	DMI0_D	V <sub>DDQ</sub>	DQ4_D	V <sub>SS</sub>	R
T	V <sub>DD2H</sub>	V <sub>DDQ</sub>	V <sub>SS</sub>	RDQ51_t_B	V <sub>SS</sub>	CA2_B	V <sub>SS</sub>	V <sub>DDQ</sub>	V <sub>SS</sub>	RDQ50_t_B	V <sub>SS</sub>	V <sub>DDQ</sub>	V <sub>SS</sub>	RDQ51_t_D	V <sub>SS</sub>	CA2_D	V <sub>SS</sub>	V <sub>DDQ</sub>	V <sub>SS</sub>	RDQ50_t_D	V <sub>DDQ</sub>	T
U	V <sub>DD2H</sub>	V <sub>SS</sub>	DMI1_B	WCK1_c_B	V <sub>SS</sub>	CS1_B	V <sub>SS</sub>	WCK0_t_B	V <sub>SS</sub>	RDQ50_c_B	V <sub>DDQ</sub>	V <sub>SS</sub>	DMI1_D	WCK1_c_D	V <sub>SS</sub>	CS1_D	V <sub>SS</sub>	WCK0_t_D	V <sub>SS</sub>	RDQ50_c_D	V <sub>DDQ</sub>	U
V	V <sub>SS</sub>	V <sub>DDQ</sub>	WCK1_t_B	V <sub>SS</sub>	V <sub>DDQ</sub>	CS0_B	CA1_B	V <sub>SS</sub>	WCK0_c_B	DQ1_B	V <sub>DDQ</sub>	V <sub>DD2H</sub>	WCK1_t_D	V <sub>SS</sub>	V <sub>DDQ</sub>	CS0_D	CA1_D	V <sub>SS</sub>	WCK0_c_D	DQ1_D	V <sub>SS</sub>	V
W	V <sub>DD2H</sub>	V <sub>DD2H</sub>	V <sub>DDQ</sub>	DQ10_B	V <sub>SS</sub>	V <sub>DD2H</sub>	CA0_B	V <sub>DDQ</sub>	DQ2_B	V <sub>SS</sub>	V <sub>SS</sub>	V <sub>DD2H</sub>	V <sub>DDQ</sub>	DQ10_D	V <sub>SS</sub>	V <sub>DD2H</sub>	CA0_D	V <sub>DDQ</sub>	DQ2_D	V <sub>SS</sub>	V <sub>DD2H</sub>	W
Y	V <sub>SS</sub>	RESET_N	DQ8_B	DQ9_B	DQ11_B	V <sub>SS</sub>	V <sub>DD2H</sub>	DQ3_B	V <sub>SS</sub>	DQ0_B	V <sub>DD2H</sub>	V <sub>SS</sub>	DQ8_D	DQ9_D	DQ11_D	V <sub>SS</sub>	V <sub>DD2H</sub>	DQ3_D	V <sub>SS</sub>	DQ0_D	V <sub>SS</sub>	Y
AA	V <sub>SS</sub>	V <sub>SS</sub>	V <sub>DD2L</sub>	V <sub>SS</sub>	V <sub>DD1</sub>	V <sub>DD2H</sub>	V <sub>SS</sub>	V <sub>DD2L</sub>	V <sub>DD1</sub>	V <sub>SS</sub>	V <sub>DD2H</sub>	V <sub>DD2H</sub>	V <sub>DD2L</sub>	V <sub>SS</sub>	V <sub>DD1</sub>	V <sub>DD2H</sub>	V <sub>SS</sub>	V <sub>DD2L</sub>	V <sub>DD1</sub>	V <sub>SS</sub>	V <sub>SS</sub>	AA

Top View (ball down)

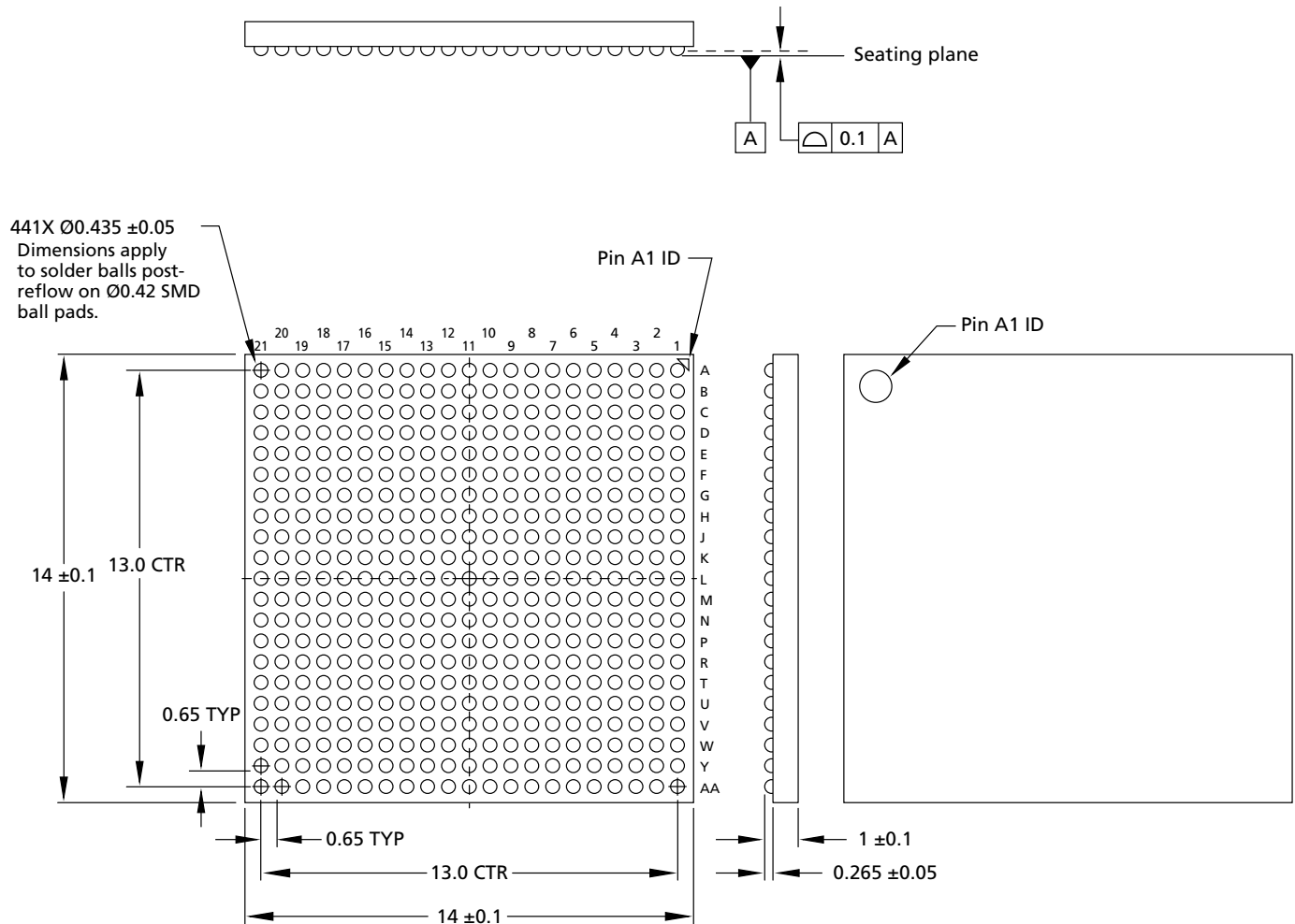




## Package Dimensions

### 441-Ball Package (Package Code: EK)

Figure 5: 441-Ball TFBGA – 14.0mm x 14.0mm (Package Code: EK)



- Notes: 1. All dimensions are in millimeters.  
2. Solder ball composition: SACQ with CuOSP pads (Sn- 4Ag-0.5Cu-3Bi-0.05Ni)



## 441b: x64 Automotive LPDDR5X SDRAM Product-Specific Mode Register Definition

### Product-Specific Mode Register Definition

Table 6: Mode Register Contents

Mode Register	OP7	OP6	OP5	OP4	OP3	OP2	OP1	OP0
MR0	Per-pin DFE	Pre Emphasis	Unified NT ODT behavior mode	DMI output behavior mode	Optimized refresh mode	Enhanced WCK always-on mode	Latency mode	NT ODT timing mode
	OP[0] = 1b: Device supports different NT ODT latency for DQ and RDQS							
	OP[1] = 0b: Device supports x16 mode latency							
	OP[2] = 1b: Device supports enhanced WCK always-on mode							
	OP[3] = 1b: Device supports optimized refresh mode							
	OP[4] = 1b: Device supports both DMI behavior mode 1 and 2 and mode selection							
	OP[5] = 1b: The NT ODT behavior follows the unified NT ODT behavior							
	OP[6] = 1b: Device supports Pre Emphasis mode							
	OP[7] = 0b: Device does not support Per Pin DFE							
MR1							ARFM support	CS ODT OP support
	OP[0] = 0b: Device does not support CS ODT behavior OP							
OP[1] = 0b: Device does not support ARFM								
MR3					<b>BK/BG ORG</b>			
	OP[4:3] = 00b: 8B, 01b: 8B, 10b: 16B Mode supported							
MR5	<b>Manufacturer ID</b>							
	1111 1111b: Micron							
MR6	<b>Revision ID1</b>							
	0000 0111b							
MR8	<b>I/O width</b>		<b>Density</b>				<b>Type</b>	
	OP[7:6] = 00b: x16		OP[5:2] = 0101b: 12Gb				OP[1:0] = 01b: LPDDR5X SDRAM	
MR13						<b>VRO</b>		
	OP[2] = 0b: Normal operation (default) 1b: Output the $V_{REF(CA)}$ value on DQ7 and $V_{REF(DQ)}$ value on DQ6							
MR19			<b>WCK2DQ OSC FM</b>					
	OP[5] = 1b: WCK2DQ OSC FM supported							
MR21	<b>WXS</b>				<b>ODTD-CSFS</b>	<b>WXFS</b>	<b>RDCFS</b>	<b>WDCFS</b>
	OP[0] = 1b: WRITE DATA COPY function supported							
	OP[1] = 1b: READ DATA COPY function supported							
	OP[2] = 1b: WRITE X function supported							
	OP[3] = 1b: Device ODTD-CS is supported							
	OP[7] = 1b: Data to be written can be selected with 0 and 1							



## 441b: x64 Automotive LPDDR5X SDRAM Product-Specific Mode Register Definition

**Table 6: Mode Register Contents (Continued)**

Mode Register	OP7	OP6	OP5	OP4	OP3	OP2	OP1	OP0
MR22	<b>RECC</b>		<b>WECC</b>					
	OP[5:4] = 00b: Write link ECC disabled (default) 01b: Write link ECC enabled (See Note 3)							
	OP[7:6] = 00b: Read link ECC disabled (default) 01b: Read link ECC enabled (See Note 3)							
MR24	<b>DFES</b>				<b>Read DCA</b>			
	OP[3] = 1b: Device supports Read DCA							
	OP[7] = 1b: Device supports DFE (See Note 4)							
MR26		<b>RDQSTFS</b>						
	OP[6] = 1b: Read/write-based RDQS_t TRAINING function supported							
MR27	<b>RAAMULT</b>		<b>RAAIMT</b>				<b>RFM</b>	
	OP[0] = 0b: RFM is not required							
	OP[5:1] = 01110b: 112							
	OP[7:6] = 01b: 4X							
MR43		<b>SBEC rule</b>						
	OP[6] = 1b: Simultaneous SBE on each DQ byte and DMI are independently counted							
MR57					<b>RFMSB</b>		<b>RAADEC</b>	
	OP[1:0] = 10b: 2 × RAAIMT							
	OP[3:2] = 00b: 1 = Does not support single-bank mode							

- Notes: 1. The contents of mode registers described here reflect information specific to each die in these packages.  
 2. Refer to General LPDDR5/LPDDR5X Specification 1 for mode registers not described here.  
 3. Write link ECC and read link ECC are supported.  
 4. Device supports 3-step DFE.



## I<sub>DD</sub> Parameters

Refer to I<sub>DD</sub> Specification Parameters and Test Conditions section in General LPDDR5/LPDDR5X Specifications 2 for detailed conditions.

**Table 7: I<sub>DD</sub> Parameters at 7500 Mb/s – Single Die**

Symbol	Supply	7500 Mb/s			Unit	Note
		AIT	AAT	AUT		
I <sub>DD01</sub>	V <sub>DD1</sub>	3.3	3.3	3.6	mA	
I <sub>DD02H</sub>	V <sub>DD2H</sub>	30.0	30.0	35.0		
I <sub>DD02L</sub>	V <sub>DD2L</sub>	0.20	0.20	0.20		
I <sub>DD0Q</sub>	V <sub>DDQ</sub>	0.60	0.60	0.60		
I <sub>DD2P1</sub>	V <sub>DD1</sub>	1.5	1.5	1.8	mA	
I <sub>DD2P2H</sub>	V <sub>DD2H</sub>	2.2	2.2	2.7		
I <sub>DD2P2L</sub>	V <sub>DD2L</sub>	0.20	0.20	0.20		
I <sub>DD2PQ</sub>	V <sub>DDQ</sub>	0.60	0.60	0.60		
I <sub>DD2PS1</sub>	V <sub>DD1</sub>	1.5	1.5	1.8	mA	
I <sub>DD2PS2H</sub>	V <sub>DD2H</sub>	2.2	2.2	2.7		
I <sub>DD2PS2L</sub>	V <sub>DD2L</sub>	0.20	0.20	0.20		
I <sub>DD2PSQ</sub>	V <sub>DDQ</sub>	0.60	0.60	0.60		
I <sub>DD2N1</sub>	V <sub>DD1</sub>	1.5	1.5	1.8	mA	
I <sub>DD2N2H</sub>	V <sub>DD2H</sub>	17.0	17.0	21.0		
I <sub>DD2N2L</sub>	V <sub>DD2L</sub>	0.20	0.20	0.20		
I <sub>DD2NQ</sub>	V <sub>DDQ</sub>	0.60	0.60	0.60		
I <sub>DD2NS1</sub>	V <sub>DD1</sub>	1.50	1.5	1.8	mA	
I <sub>DD2NS2H</sub>	V <sub>DD2H</sub>	17.0	17.0	21.0		
I <sub>DD2NS2L</sub>	V <sub>DD2L</sub>	0.20	0.20	0.20		
I <sub>DD2NSQ</sub>	V <sub>DDQ</sub>	0.60	0.60	0.60		
I <sub>DD3P1</sub>	V <sub>DD1</sub>	1.5	1.5	1.8	mA	
I <sub>DD3P2H</sub>	V <sub>DD2H</sub>	6.0	6.0	8.0		
I <sub>DD3P2L</sub>	V <sub>DD2L</sub>	0.20	0.20	0.20		
I <sub>DD3PQ</sub>	V <sub>DDQ</sub>	0.60	0.60	0.60		
I <sub>DD3PS1</sub>	V <sub>DD1</sub>	1.5	1.5	1.8	mA	
I <sub>DD3PS2H</sub>	V <sub>DD2H</sub>	6.0	6.0	8.0		
I <sub>DD3PS2L</sub>	V <sub>DD2L</sub>	0.20	0.20	0.20		
I <sub>DD3PSQ</sub>	V <sub>DDQ</sub>	0.60	0.60	0.60		


**441b: x64 Automotive LPDDR5X SDRAM  
I<sub>DD</sub> Parameters**
**Table 7: I<sub>DD</sub> Parameters at 7500 Mb/s – Single Die**

Symbol	Supply	7500 Mb/s			Unit	Note
		AIT	AAT	AUT		
I <sub>DD3N1</sub>	V <sub>DD1</sub>	1.7	1.7	2.0	mA	
I <sub>DD3N2H</sub>	V <sub>DD2H</sub>	22.0	22.0	26.0		
I <sub>DD3N2L</sub>	V <sub>DD2L</sub>	0.20	0.20	0.20		
I <sub>DD3NQ</sub>	V <sub>DDQ</sub>	0.60	0.60	0.60		
I <sub>DD3NS1</sub>	V <sub>DD1</sub>	1.7	1.7	2.0	mA	
I <sub>DD3NS2H</sub>	V <sub>DD2H</sub>	22.0	22.0	26.0		
I <sub>DD3NS2L</sub>	V <sub>DD2L</sub>	0.20	0.20	0.20		
I <sub>DD3NSQ</sub>	V <sub>DDQ</sub>	0.60	0.60	0.60		
I <sub>DD4R1</sub>	V <sub>DD1</sub>	11.0	11.0	12.0	mA	3, 4
I <sub>DD4R2H</sub>	V <sub>DD2H</sub>	430.0	435.0	445.0		
I <sub>DD4R2L</sub>	V <sub>DD2L</sub>	0.20	0.20	0.20		
I <sub>DD4RQ</sub>	V <sub>DDQ</sub>	116.0	116.0	116.0		
I <sub>DD4W1</sub>	V <sub>DD1</sub>	10.0	10.0	11.0	mA	3
I <sub>DD4W2H</sub>	V <sub>DD2H</sub>	280.0	285.0	295.0		
I <sub>DD4W2L</sub>	V <sub>DD2L</sub>	0.20	0.20	0.20		
I <sub>DD4WQ</sub>	V <sub>DDQ</sub>	0.60	0.60	0.60		
I <sub>DD51</sub>	V <sub>DD1</sub>	17.0	17.0	17.0	mA	
I <sub>DD52H</sub>	V <sub>DD2H</sub>	115.0	115.0	120.0		
I <sub>DD52L</sub>	V <sub>DD2L</sub>	0.20	0.20	0.20		
I <sub>DD5Q</sub>	V <sub>DDQ</sub>	0.60	0.60	0.60		
I <sub>DD5AB1</sub>	V <sub>DD1</sub>	2.5	2.5	2.8	mA	
I <sub>DD5AB2H</sub>	V <sub>DD2H</sub>	24.0	24.0	28.0		
I <sub>DD5AB2L</sub>	V <sub>DD2L</sub>	0.20	0.20	0.20		
I <sub>DD5ABQ</sub>	V <sub>DDQ</sub>	0.60	0.60	0.60		
I <sub>DD5PB1</sub>	V <sub>DD1</sub>	2.5	2.5	2.8	mA	
I <sub>DD5PB2H</sub>	V <sub>DD2H</sub>	24.0	24.0	28.0		
I <sub>DD5PB2L</sub>	V <sub>DD2L</sub>	0.20	0.20	0.20		
I <sub>DD5PBQ</sub>	V <sub>DDQ</sub>	0.60	0.60	0.60		

- Notes: 1. Published I<sub>DD</sub> values except I<sub>DD4RQ</sub> are the maximum I<sub>DD</sub> values considering the worst-case conditions of process, temperature, and voltage.  
 2. BG mode. DVFS and DVFSQ disabled.  
 3. BL = 16, DBI disabled.  
 4. I<sub>DD4RQ</sub> value is reference only. Typical value. Output load = 5pF; R<sub>ON</sub> = 40 ohms; T<sub>C</sub> = 25°C  
 5. V<sub>DD1</sub> = 1.70–1.95V; V<sub>DD2H</sub> = 1.01–1.12V; V<sub>DD2L</sub> = 0.87–0.97V; V<sub>DDQ</sub> = 0.47–0.57V  
 6. Notes 1 and 2 apply to entire table.




**441b: x64 Automotive LPDDR5X SDRAM  
I<sub>DD</sub> Parameters**
**Table 8: I<sub>DD</sub> Parameters at 8533 Mb/s – Single Die**

Symbol	Supply	8533 Mb/s			Unit	Note
		AIT	AAT	AUT		
I <sub>DD01</sub>	V <sub>DD1</sub>	3.3	3.3	3.6	mA	
I <sub>DD02H</sub>	V <sub>DD2H</sub>	30.0	30.0	35.0		
I <sub>DD02L</sub>	V <sub>DD2L</sub>	0.20	0.20	0.20		
I <sub>DD0Q</sub>	V <sub>DDQ</sub>	0.60	0.60	0.60		
I <sub>DD2P1</sub>	V <sub>DD1</sub>	1.5	1.5	1.8	mA	
I <sub>DD2P2H</sub>	V <sub>DD2H</sub>	2.2	2.2	2.7		
I <sub>DD2P2L</sub>	V <sub>DD2L</sub>	0.20	0.20	0.20		
I <sub>DD2PQ</sub>	V <sub>DDQ</sub>	0.60	0.60	0.60		
I <sub>DD2PS1</sub>	V <sub>DD1</sub>	1.5	1.5	1.8	mA	
I <sub>DD2PS2H</sub>	V <sub>DD2H</sub>	2.2	2.2	2.7		
I <sub>DD2PS2L</sub>	V <sub>DD2L</sub>	0.20	0.20	0.20		
I <sub>DD2PSQ</sub>	V <sub>DDQ</sub>	0.60	0.60	0.60		
I <sub>DD2N1</sub>	V <sub>DD1</sub>	1.5	1.5	1.8	mA	
I <sub>DD2N2H</sub>	V <sub>DD2H</sub>	17.0	17.0	21.0		
I <sub>DD2N2L</sub>	V <sub>DD2L</sub>	0.20	0.20	0.20		
I <sub>DD2NQ</sub>	V <sub>DDQ</sub>	0.60	0.60	0.60		
I <sub>DD2NS1</sub>	V <sub>DD1</sub>	1.5	1.5	1.8	mA	
I <sub>DD2NS2H</sub>	V <sub>DD2H</sub>	17.0	17.0	21.0		
I <sub>DD2NS2L</sub>	V <sub>DD2L</sub>	0.20	0.20	0.20		
I <sub>DD2NSQ</sub>	V <sub>DDQ</sub>	0.60	0.60	0.60		
I <sub>DD3P1</sub>	V <sub>DD1</sub>	1.5	1.5	1.8	mA	
I <sub>DD3P2H</sub>	V <sub>DD2H</sub>	6.0	6.0	8.0		
I <sub>DD3P2L</sub>	V <sub>DD2L</sub>	0.20	0.20	0.20		
I <sub>DD3PQ</sub>	V <sub>DDQ</sub>	0.60	0.60	0.60		
I <sub>DD3PS1</sub>	V <sub>DD1</sub>	1.5	1.5	1.8	mA	
I <sub>DD3PS2H</sub>	V <sub>DD2H</sub>	6.0	6.0	8.0		
I <sub>DD3PS2L</sub>	V <sub>DD2L</sub>	0.20	0.20	0.20		
I <sub>DD3PSQ</sub>	V <sub>DDQ</sub>	0.60	0.60	0.60		
I <sub>DD3N1</sub>	V <sub>DD1</sub>	1.7	1.7	2.0	mA	
I <sub>DD3N2H</sub>	V <sub>DD2H</sub>	22.0	22.0	26.0		
I <sub>DD3N2L</sub>	V <sub>DD2L</sub>	0.20	0.20	0.20		
I <sub>DD3NQ</sub>	V <sub>DDQ</sub>	0.60	0.60	0.60		



## 441b: x64 Automotive LPDDR5X SDRAM I<sub>DD</sub> Parameters

**Table 8: I<sub>DD</sub> Parameters at 8533 Mb/s – Single Die**

Symbol	Supply	8533 Mb/s			Unit	Note
		AIT	AAT	AUT		
I <sub>DD3NS1</sub>	V <sub>DD1</sub>	1.7	1.7	2.0	mA	
I <sub>DD3NS2H</sub>	V <sub>DD2H</sub>	22.0	22.0	26.0		
I <sub>DD3NS2L</sub>	V <sub>DD2L</sub>	0.20	0.20	0.20		
I <sub>DD3NSQ</sub>	V <sub>DDQ</sub>	0.60	0.60	0.60		
I <sub>DD4R1</sub>	V <sub>DD1</sub>	12.0	12.0	13.0	mA	3, 4
I <sub>DD4R2H</sub>	V <sub>DD2H</sub>	480.0	485.0	495.0		
I <sub>DD4R2L</sub>	V <sub>DD2L</sub>	0.20	0.20	0.20		
I <sub>DD4RQ</sub>	V <sub>DDQ</sub>	126.0	126.0	126.0		
I <sub>DD4W1</sub>	V <sub>DD1</sub>	11.0	11.0	12.0	mA	3
I <sub>DD4W2H</sub>	V <sub>DD2H</sub>	310.0	315.0	325.0		
I <sub>DD4W2L</sub>	V <sub>DD2L</sub>	0.20	0.20	0.20		
I <sub>DD4WQ</sub>	V <sub>DDQ</sub>	0.60	0.60	0.60		
I <sub>DD51</sub>	V <sub>DD1</sub>	17.0	17.0	17.0	mA	
I <sub>DD52H</sub>	V <sub>DD2H</sub>	115.0	115.0	120.0		
I <sub>DD52L</sub>	V <sub>DD2L</sub>	0.20	0.20	0.20		
I <sub>DD5Q</sub>	V <sub>DDQ</sub>	0.60	0.60	0.60		
I <sub>DD5AB1</sub>	V <sub>DD1</sub>	2.5	2.5	2.8	mA	
I <sub>DD5AB2H</sub>	V <sub>DD2H</sub>	24.0	24.0	28.0		
I <sub>DD5AB2L</sub>	V <sub>DD2L</sub>	0.20	0.20	0.20		
I <sub>DD5ABQ</sub>	V <sub>DDQ</sub>	0.60	0.60	0.60		
I <sub>DD5PB1</sub>	V <sub>DD1</sub>	2.5	2.5	2.8	mA	
I <sub>DD5PB2H</sub>	V <sub>DD2H</sub>	24.0	24.0	28.0		
I <sub>DD5PB2L</sub>	V <sub>DD2L</sub>	0.20	0.20	0.20		
I <sub>DD5PBQ</sub>	V <sub>DDQ</sub>	0.60	0.60	0.60		

- Notes: 1. Published I<sub>DD</sub> values except I<sub>DD4RQ</sub> are the maximum I<sub>DD</sub> values considering the worst-case conditions of process, temperature, and voltage.  
 2. BG mode. DVFS and DVFSQ disabled.  
 3. BL = 16, DBI disabled.  
 4. I<sub>DD4RQ</sub> value is reference only. Typical value. Output load = 5pF; R<sub>ON</sub> = 40 ohms; T<sub>C</sub> = 25°C  
 5. V<sub>DD1</sub> = 1.70–1.95V; V<sub>DD2H</sub> = 1.01–1.12V; V<sub>DD2L</sub> = 0.87–0.97V; V<sub>DDQ</sub> = 0.47–0.57V  
 6. Notes 1 and 2 apply to entire table.


**441b: x64 Automotive LPDDR5X SDRAM  
I<sub>DD</sub> Parameters**
**Table 9: Full-Array Power-Down Self Refresh Current – Single Die**

Temperature	Symbol	Supply	Value	Unit
25°C	I <sub>DD61</sub>	V <sub>DD1</sub>	0.25	mA
	I <sub>DD62H</sub>	V <sub>DD2H</sub>	0.45	
	I <sub>DD62L</sub>	V <sub>DD2L</sub>	(see note 4)	
	I <sub>DD6Q</sub>	V <sub>DDQ</sub>	(see note 4)	
	I <sub>DD6DS1</sub>	V <sub>DD1</sub>	0.25	
	I <sub>DD6DS2H</sub>	V <sub>DD2H</sub>	0.45	
	I <sub>DD6DS2L</sub>	V <sub>DD2L</sub>	(see note 4)	
	I <sub>DD6DSQ</sub>	V <sub>DDQ</sub>	(see note 4)	
95°C	I <sub>DD61</sub>	V <sub>DD1</sub>	3.7	mA
	I <sub>DD62H</sub>	V <sub>DD2H</sub>	12.0	
	I <sub>DD62L</sub>	V <sub>DD2L</sub>	0.2	
	I <sub>DD6Q</sub>	V <sub>DDQ</sub>	0.6	
	I <sub>DD6DS1</sub>	V <sub>DD1</sub>	3.7	
	I <sub>DD6DS2H</sub>	V <sub>DD2H</sub>	12.0	
	I <sub>DD6DS2L</sub>	V <sub>DD2L</sub>	0.2	
	I <sub>DD6DSQ</sub>	V <sub>DDQ</sub>	0.6	
105°C	I <sub>DD61</sub>	V <sub>DD1</sub>	4.0	mA
	I <sub>DD62H</sub>	V <sub>DD2H</sub>	17.0	
	I <sub>DD62L</sub>	V <sub>DD2L</sub>	0.2	
	I <sub>DD6Q</sub>	V <sub>DDQ</sub>	0.6	
	I <sub>DD6DS1</sub>	V <sub>DD1</sub>	4.0	
	I <sub>DD6DS2H</sub>	V <sub>DD2H</sub>	17.0	
	I <sub>DD6DS2L</sub>	V <sub>DD2L</sub>	0.2	
	I <sub>DD6DSQ</sub>	V <sub>DDQ</sub>	0.6	
125°C	I <sub>DD61</sub>	V <sub>DD1</sub>	7.0	mA
	I <sub>DD62H</sub>	V <sub>DD2H</sub>	36.0	
	I <sub>DD62L</sub>	V <sub>DD2L</sub>	0.2	
	I <sub>DD6Q</sub>	V <sub>DDQ</sub>	0.6	
	I <sub>DD6DS1</sub>	V <sub>DD1</sub>	7.0	
	I <sub>DD6DS2H</sub>	V <sub>DD2H</sub>	36.0	
	I <sub>DD6DS2L</sub>	V <sub>DD2L</sub>	0.2	
	I <sub>DD6DSQ</sub>	V <sub>DDQ</sub>	0.6	



## 441b: x64 Automotive LPDDR5X SDRAM I<sub>DD</sub> Parameters

- Notes:
1. I<sub>DD6</sub>25°C is the typical value in the distribution with nominal V<sub>DD</sub> and a reference-only value. I<sub>DD6</sub>95/105/125°C is the maximum I<sub>DD</sub> guaranteed value considering the worst-case conditions of process, temperature, and voltage.
  2. DVFS and DVFSQ disabled.
  3. V<sub>DD1</sub> = 1.70–1.95V; V<sub>DD2H</sub> = 1.01–1.12V; V<sub>DD2L</sub> = 0.87–0.97V; V<sub>DDQ</sub> = 0.47–0.57V
  4. V<sub>DD2L</sub> and V<sub>DDQ</sub> power rails are not used during power-down self refresh.